

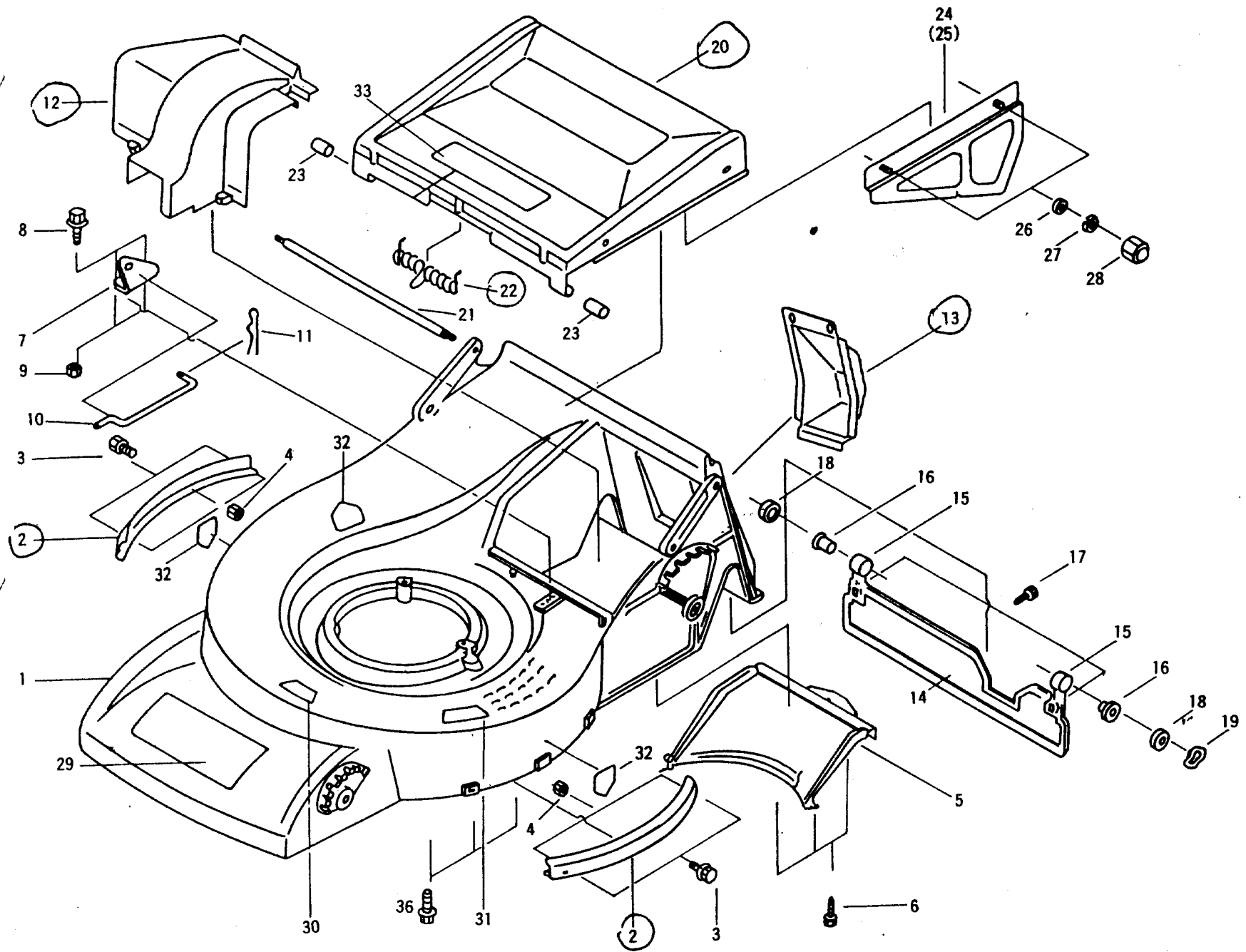
LAWN MOWER

PARTS LIST

480

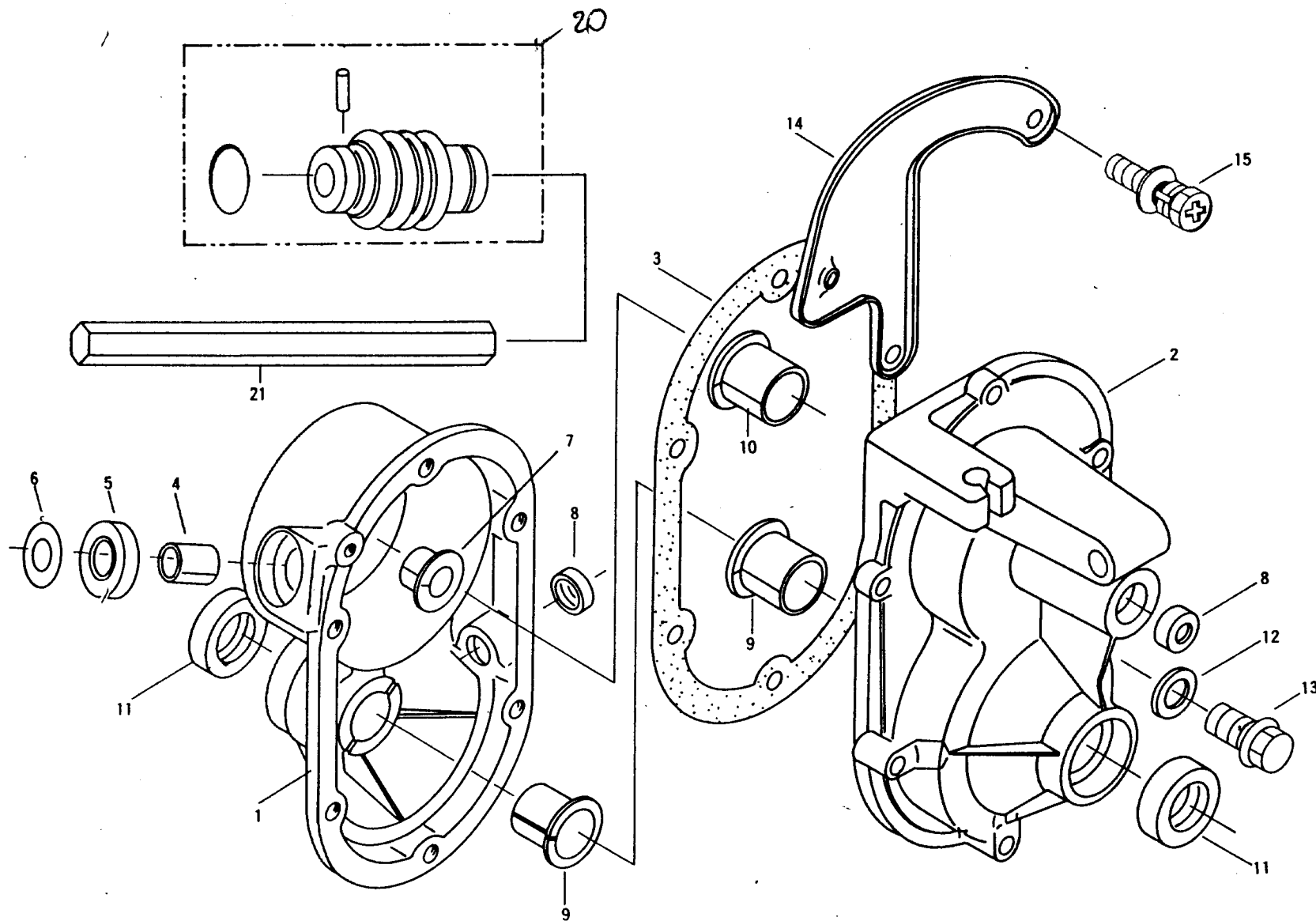
530





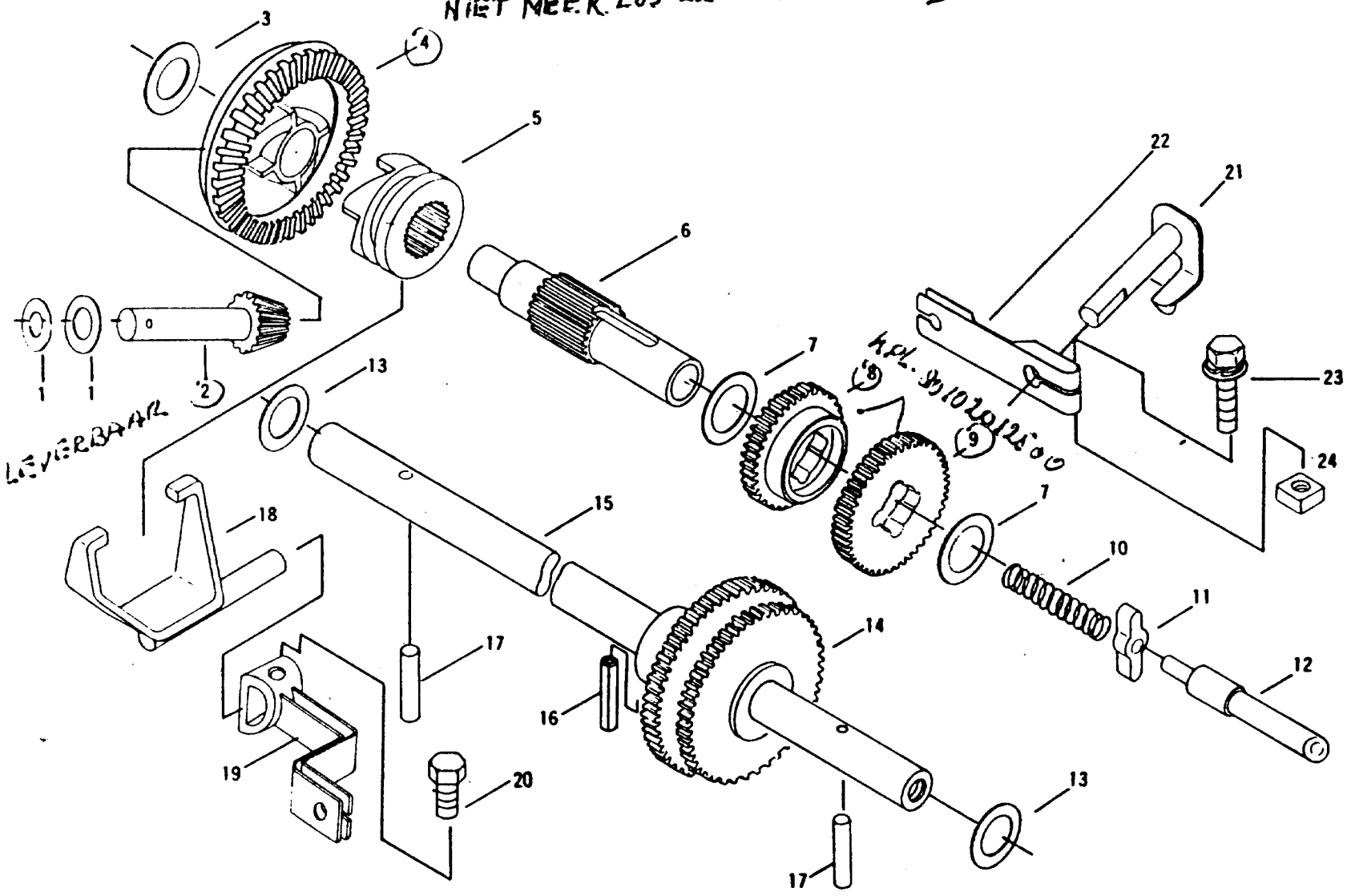
No.	Parts No.	Parts Name	480				530			
			P	A	B	BS	A	B	BS	
1	80-1010-731-00	Cover (Body)(480)	1	1	1	1				
	80-1020-731-00	Cover (Body)(530)					1	1	1	
2	80-1010-741-00	Under Guard (480)	2	2	2	2				
	80-1020-741-00	Under Guard (530)					2	2	2	
3	S17060200D	Bolt And P.W. · S.W. ASSY M6 × 20	4	4	4	4				
	S17080200D	Bolt And P.W. · S.W. ASSY M8 × 20					4	4	4	
4	S31060000D	Nut M6	4	4	4	4				
	S31080000D	Nut M8					4	4	4	
5	80-1010-714-00	Guide (480)	1	1	1	1				
	80-1020-714-00	Guide (530)					1	1	1	
6	S26080181D	Tapping Bolt M8 × 18	3	3	3	3	3	3	3	
7	80-1020-705-01	Lock Arm Bracket A		1	1	1	1	1	1	
8	S16080250D	Bolt And S.W. ASSY M8 × 25		2	2	2	2	2	2	
9	S31080000D	Nut M8		2	2	2	2	2	2	
10	80-1020-707-01	Lock Arm		1	1	1	1	1	1	
11	S61060000C	Snap Pin φ6		1	1	1	1	1	1	
12	80-1020-733-00	Front Cover - Gear Case	1	1	1	1	1	1	1	
13	80-1020-735-00	Rear Cover - Gear Case	1	1	1	1	1	1	1	
14~17	80-1020-791-00	Flapper Assembly	1	1	1	1	1	1	1	
14	80-1020-792-00	Flapper	1	1	1	1	1	1	1	
15	80-1020-793-00	Flapper Setting	2	2	2	2	2	2	2	
16	80-1020-794-00	Spacer	2	2	2	2	2	2	2	
17	S17060160D	Bolt And P.W. · S.W. ASSY M6 × 16	2	2	2	2	2	2	2	
18	80-1020-798-00	Spacer	2							
19	S58160003B	Wave Washer φ16	2							
20	80-1020-751-00	Rear Cover	1	1	1	1	1	1	1	
21	80-1020-207-00	Rear Cover Shaft	1	1	1	1	1	1	1	
22	80-1020-753-00	Rear Cover Spring	1	1	1	1	1	1	1	
23	80-1020-202-00	Rear Cover Spacer					2	2	2	
24	80-1020-755-00	Side Plate (Left)	1	1	1	1	1	1	1	
25	80-1020-754-00	Side Plate (Right)	1	1	1	1	1	1	1	
26	S50060000D	Washer φ6	4	4	4	4	4	4	4	
27	S58060000D	Spring Washer φ6	4	4	4	4	4	4	4	
28	S41060000D	Cap Nut M6	4	4	4	4	4	4	4	
29	80-1020-902-00	Label (Small)	1	1	1	1	1	1	1	
30	80-1020-928-00	Notice Label (Small)	1	1	1	1	1	1	1	
31	80-1020-907-00	Step Label (Small)	1	1	1	1	1	1	1	
32	80-1020-927-00	Danger Label	2	2	2	3	3	3	3	
33	80-1020-929-00	Notice Label (Large)	1	1	1	1	1	1	1	
34	80-1010-931-00	Number Label (480)	1	1	1	1				
	80-1020-935-00	Number Label (530)					1	1	1	
35	80-1010-932-00	98db Label	1	1	1	1				
36	80-1010-789-00	Engine Setting Bolt	3	3	3					G400PVY
	S17080400D	Bolt And P.W. · S.W. ASSY M8 × 40					3	2	2	G400PVY
	S17080450D	Bolt And P.W. · S.W. ASSY M8 × 45						1	1	G400PVY
	S17100500D	Bolt And P.W. · S.W. ASSY M10 × 50	3	3	3	3	3	2	2	FC150V
	S17100550D	Bolt And P.W. · S.W. ASSY M10 × 55						1	1	FC150V

GEAR CASE

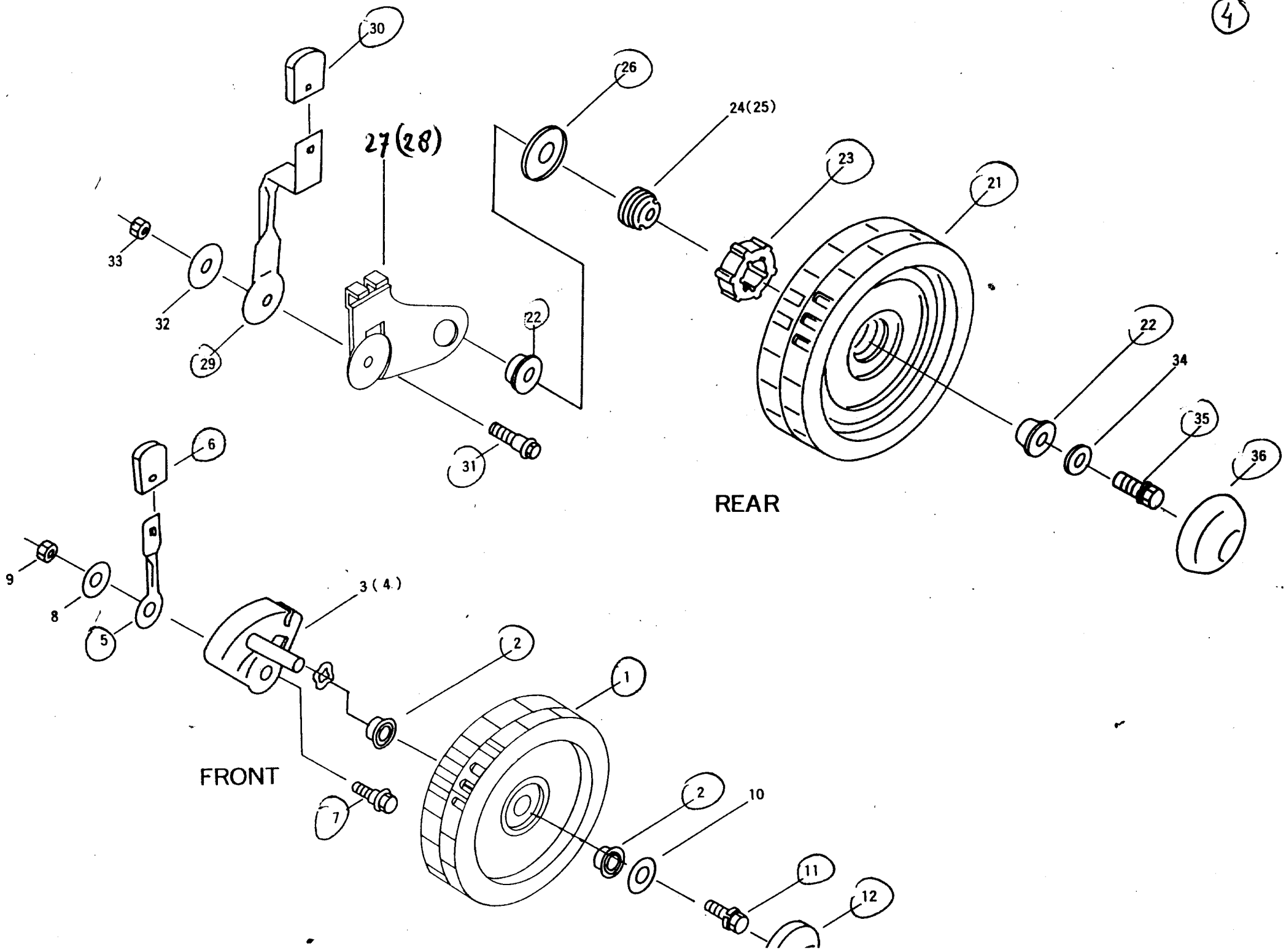


NIET MEER LOS LEVERBAAR kpl. 301020115:00

NIET LOS LEVERBAAR

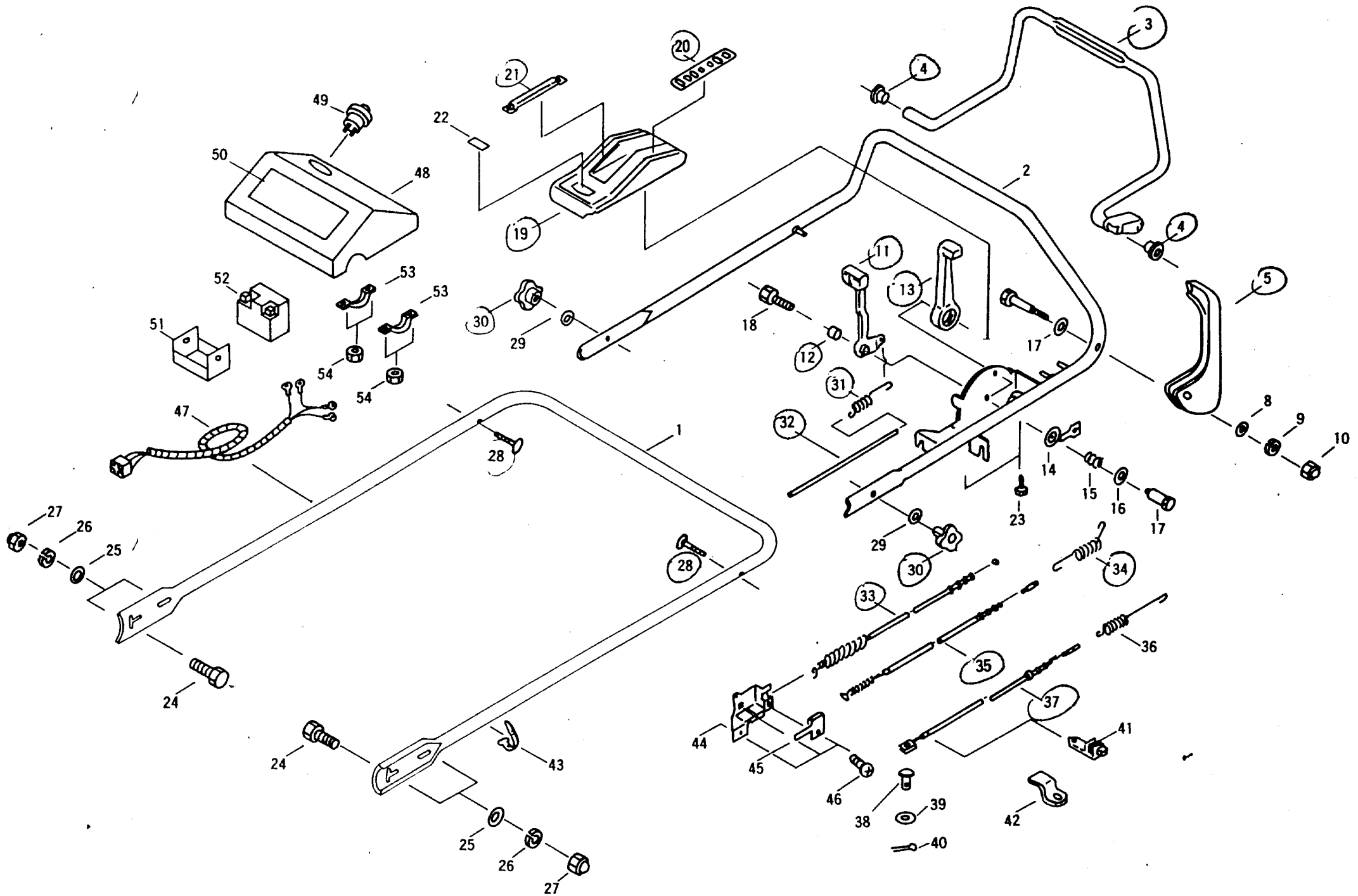


NO.	Parts NO.	Parts Name	480				530		
			P	A	B	BS	A	B	BS
1	80-1020-126-00	Thrust Washer ϕ 10		2	2	2	2	2	2
2	80-1020-116-01	Pinion Bevel = 80102011500		1	1	1	1	1	1
3	80-1020-129-00	Thrust Washer ϕ 12		1	1	1	1	1	1
4	80-1020-117-01	Bevel Gear - 80102011500		1	1	1	1	1	1
5	80-1020-119-01	Clutch for driving		1	1	1	1	1	1
6	80-1020-118-00	Main Shaft		1	1	1	1	1	1
7	80-1020-128-00	Thrust Washer ϕ 16		2	2	2	2	2	2
8	80-1020-123-00	Gear (Low)) = 80102012500		1	1	1	1	1	1
9	80-1020-121-00	Gear (High)		1	1	1	1	1	1
10	80-1020-161-00	Shift Spring		1	1	1	1	1	1
11	80-1020-108-00	Change Guide		1	1	1	1	1	1
12	80-1020-107-00	Change Rod		1	1	1	1	1	1
13	80-1020-156-00	Thrust Washer ϕ 15		2	2	2	2	2	2
14	80-1020-148-00	Axle Gear		1	1	1	1	1	1
15	80-1020-146-00	Axle		1	1	1	1	1	1
	80-1010-461-00	Axle (P)	1						
16	S665025000	Spring Pin ϕ 5 x 25		1	1	1	1	1	1
17	S67502500	Pin ϕ 5 x 25		2	2	2	2	2	2
18	80-1020-113-00	Clutch Fork		1	1	1	1	1	1
19	80-1020-153-01	Clutch Arm		1	1	1	1	1	1
20	S110601210	Bolt 8 T M6 x 12		1	1	1	1	1	1
21	80-1020-106-00	Shift Arm		1	1	1	1	1	1
22	80-1020-193-01	Change Arm		1	1	1	1	1	1
23	S22060250D	Bolt And P. W. - S.W ASSY M6 x 25		1	1	1	1	1	1
24	S32060000D	Square Nut M6		1	1	1	1	1	1

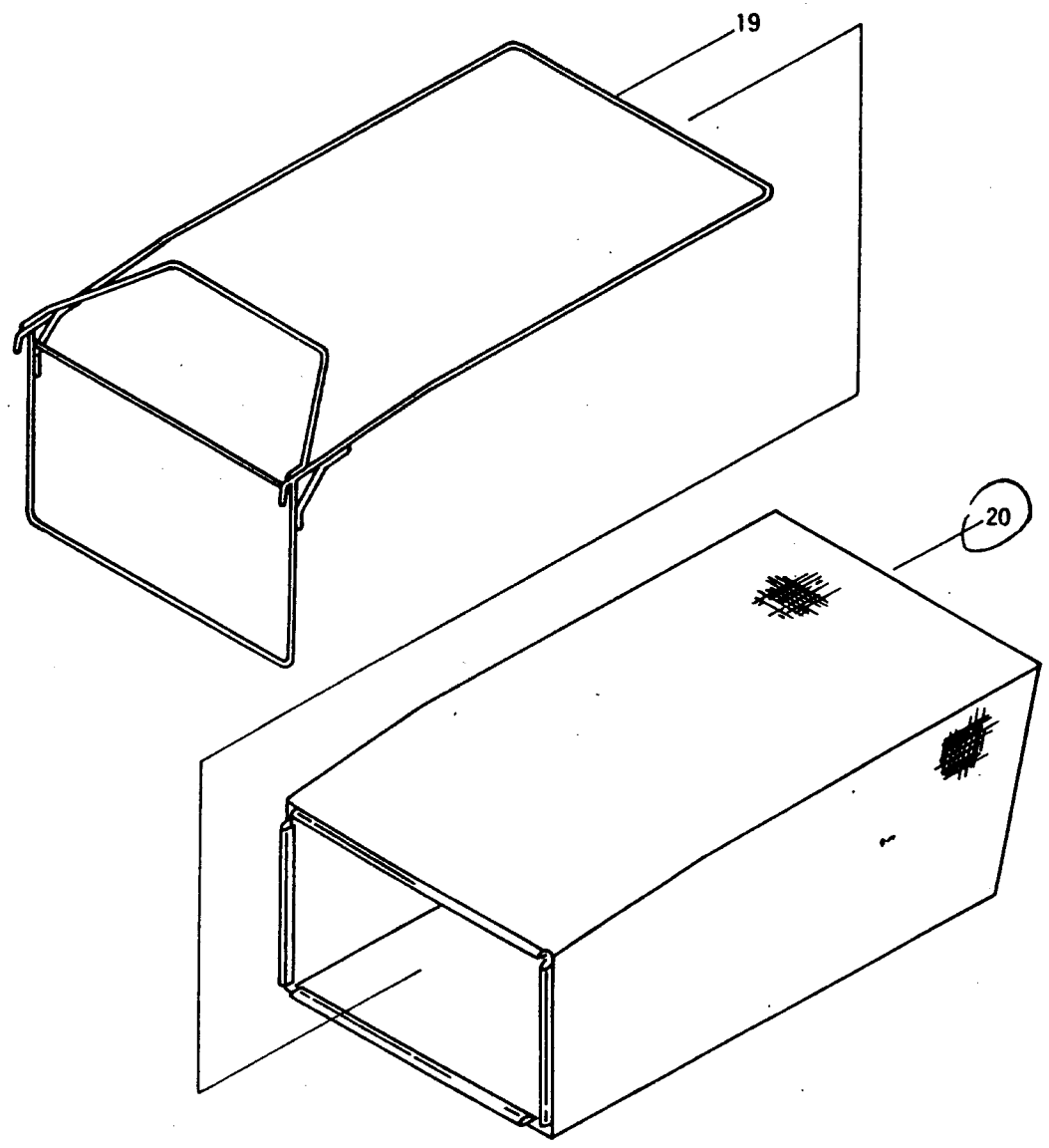
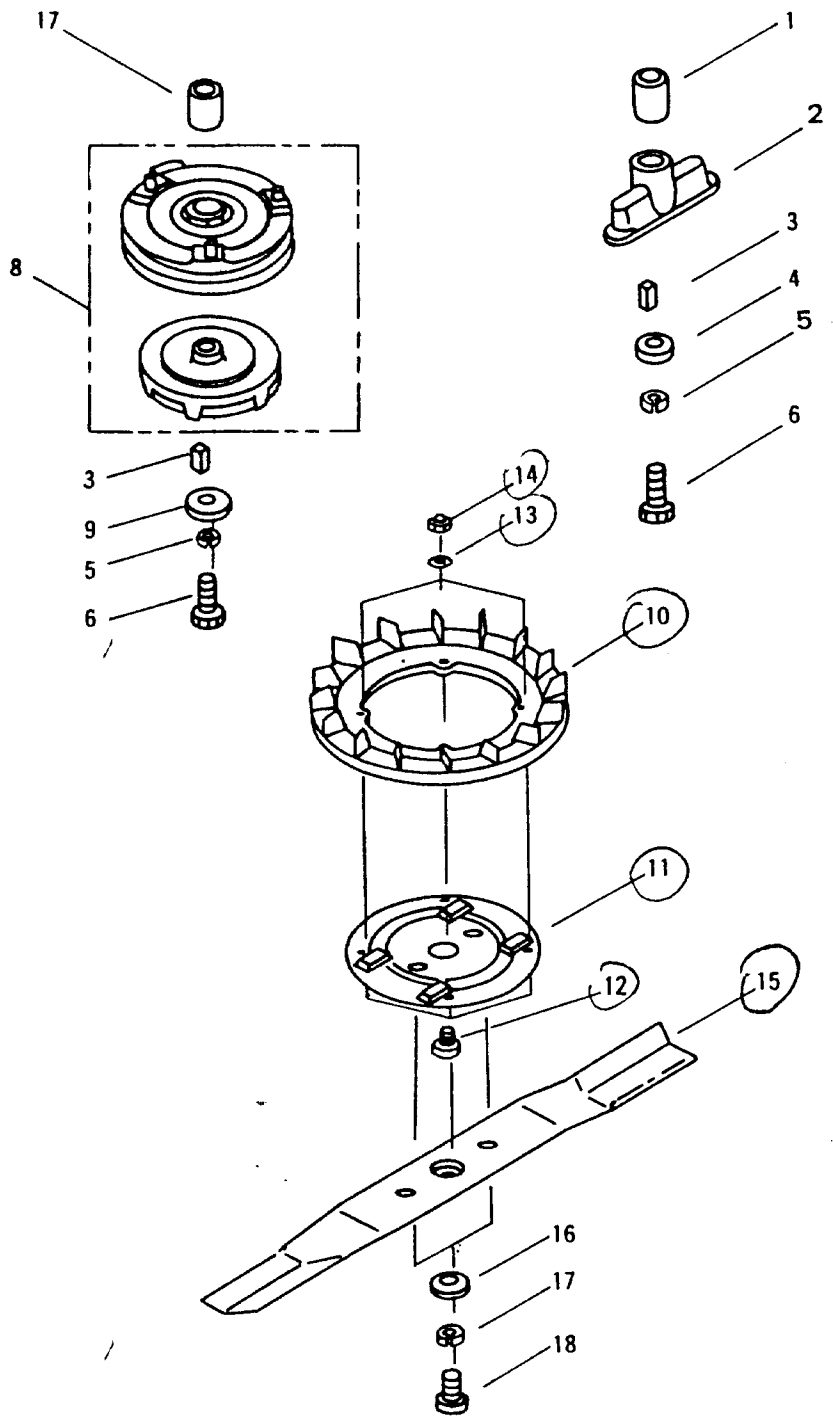


No.	Parts No.	Parts Name	480				530		
			P	A	B	BS	A	B	BS
FRONT									
1~2	80-1020-421-00	Front Wheel Assembly	2	2	2	2	2	2	2
1	80-1020-407-00	Front Wheel	2	2	2	2	2	2	2
2	S701535000	Bearing ND-02S	4	4	4	4	4	4	4
3	80-1020-404-01	Front Wheel Arm(Left)	1	1	1	1	1	1	1
4	80-1020-405-01	Front Wheel Arm(Right)	1	1	1	1	1	1	1
5	80-1020-424-01	Front Wheel Arm Stopper	2	2	2	2	2	2	2
6	80-1020-426-01	Grip	2	2	2	2	2	2	2
7	80-1020-406-00	Arm Bolt	2	2	2	2	2	2	2
8	80-1020-435-00	Washer $\phi 8 \times 40$	2	2	2	2	2	2	2
9	S48080000D	U-Nut M8	2	2	2	2	2	2	2
10	80-1020-434-00	Washer $\phi 8 \times 30$	2	2	2	2	2	2	2
11	S16080200D	Bolt And S.W. ASSY M8 \times 20	2	2	2	2	2	2	2
12	80-1020-441-00	Wheel Cap	2	2	2	2	2	2	2
REAR									
21~23	80-1020-422-00	Rear Wheel Assembly		2	2	2	2	2	2
1~2	80-1020-421-00	Front Wheel Assembly	2						
21	80-1020-408-00	Rear Wheel		2	2	2	2	2	2
22	S701535000	Bearing ND-02S		2	2	2	2	2	2
23	80-1020-409-00	Clutch Guide		2	2	2	2	2	2
24	80-1020-458-00	Ratchet Assembly (Left)		1	1	1	1	1	1
25	80-1020-459-00	Ratchet Assembly (Right)		1	1	1	1	1	1
26	80-1020-433-00	Coned Disc Spring		2	2	2	2	2	2
27	80-1020-414-01	Rear Wheel Arm (Left)	1	1	1	1	1	1	1
28	80-1020-415-01	Rear Wheel Arm (Right)	1	1	1	1	1	1	1
29	80-1020-425-01	Rear Wheel Arm Stopper	2	2	2	2	2	2	2
30	80-1020-426-01	Grip	2	2	2	2	2	2	2
31	80-1020-406-00	Arm Bolt	2	2	2	2	2	2	2
32	80-1020-435-00	Washer $\phi 8 \times 40$					2	2	2
33	S48080000D	U-Nut M8	2	2	2	2	2	2	2
34	80-1020-434-00	Washer $\phi 8 \times 30$	2	2	2	2	2	2	2
35	S16080200D	Bolt And S.W. ASSY M8 \times 20	2	2	2	2	2	2	2
36	80-1020-441-00	Wheel Cap	2	2	2	2	2	2	2

HANDLE. WIRE



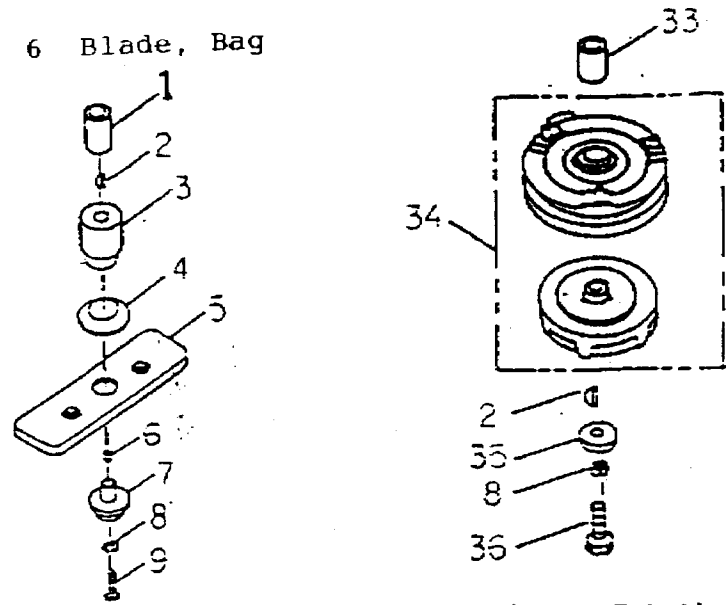
No.	Parts No.	Parts Name	480				530			
			P	A	B	BS	A	B	BS	
1	80-1020-201-01	Lower Handle	1	1	1	1	1	1	1	
2	80-1020-222-00	Upper Handle (A)	1	1			1			
	80-1020-221-01	Upper Handle (B)			1	1		1	1	
3	80-1020-241-01	Lever for Driving		1	1	1	1	1	1	
4	80-1020-243-00	Spacer		2	2	2	2	2	2	
5	80-1020-251-01	Blade Lever			1	1		1	1	
6	80-1020-258-00	Blade Lever Shaft			1	1		1	1	
7	S50080000D	Washer ϕ 8			1	1		1	1	
8	S50060000D	Washer ϕ 6			1	1		1	1	
9	S58060000D	Spring Washer ϕ 6			1	1		1	1	
10	S41060000D	Cap Nut M6			1	1		1	1	
11	80-1020-260-00	Change Lever		1	1	1	1	1	1	
12	80-1020-270-00	Inner Color		1	1	1	1	1	1	
13	80-1020-261-00	Throttle Lever	1	1	1	1	1	1	1	
14	80-1020-264-00	Washer	1	1	1	1	1	1	1	
15	80-1020-263-00	Lever Shaft Spring	1	1	1	1	1	1	1	
16	S50122125D	Washer ϕ 13 x 21	1	1	1	1	1	1	1	
17	80-1020-262-00	Lever Shaft	1	1	1	1	1	1	1	
18	S17080300D	Bolt And P.W. - S.W. ASSY M8 x 30		1	1	1	1	1	1	
	S17080160D	Bolt And P.W. - S.W. ASSY M8 x 16	1							
19	80-1020-231-00	Controle Case	1	1	1	1	1	1	1	
20	80-1020-911-00	Throttle Label	1	1	1	1	1	1	1	
21	80-1020-912-00	Change Label		1	1	1	1	1	1	
22	80-1020-903-00	Label (Small)	1	1	1	1	1	1	1	
23	S28050120D	Tapping Screw ϕ 5 x 12	2	2	2	2	2	2	2	
24	80-1020-208-00	Lower Handle Bolt					2	2	2	
	S11080251D	Bolt 8T M8 x 25	2	2	2	2				
25	S50080000D	Washer ϕ 8	4	4	4	4	4	4	4	
26	S58080000D	Spring Washer ϕ 8	4	4	4	4	4	4	4	
27	S41080000D	Cap Nut M8	4	4	4	4	4	4	4	
28	80-1020-227-00	Handle Bolt (B)	2	2	2	2	2	2	2	
29	S50080000D	Washer ϕ 8	2	2	2	2	2	2	2	
30	80-1020-228-01	Knob Nut M8	2	2	2	2	2	2	2	
31	80-1020-967-00	Change Spring		1	1	1	1	1	1	
32	80-1020-954-00	Change Wire		1	1	1	1	1	1	
33	80-1020-951-00	Throttle Wire (M)	1	1	1		1	1		G400PVY
	80-1020-952-00	Throttle Wire (K)	1	1	1	1	1	1	1	FC150V
	80-1020-953-00	Throttle Wire (M II)	1							T400PVY
34	80-1020-966-01	Clutch Spring		1	1	1	1	1	1	
35	80-1020-961-00	Clutch Wire		1	1	1	1	1	1	
36	80-1020-968-01	Blade Clutch Spring			1	1		1	1	
37	80-1020-964-00	Blade Wire			1	1		1	1	
38	S63060160	Pin ϕ 6 x 16			1	1		1	1	
39	S50060000C	Washer ϕ 6			1	1		1	1	
40	S60201500C	Split Pin ϕ 2 x 15			1	1		1	1	
41	80-1020-717-00	Blade Wire Setting						1	1	
42	80-1010-717-00	Blade Wire Setting			1	1				
43	80-1210-968-00	Wire Band	2	2	2	2	2	2	2	
44	80-1020-551-00	Throttle Wire Setting	1	1	1		1	1		G400PVY
45	80-1020-552-00	Throttle Wire Plate	1	1	1		1	1		G400PVY
46	S25050120C	Screw M5 x 12	3	3	3		3	3		G400PVY
47	80-1020-971-00	Wire Assembly				1			1	
48	80-1020-291-00	Control Box				1			1	
49	80-1020-972-00	Switch (B17590-00-00)				1			1	
50	80-1020-904-00	Label (Middle)				1			1	
51	80-1020-292-00	Battery Holder				1			1	
52	80-1020-975-00	Battery (FT4L-12B)				1			1	
53	80-1020-980-00	Cramp ϕ 22				2			2	
54	S48060000D	F - Nut M6				4			4	



No.	Parts No.	Parts Name	480				530			
			P	A	B	BS	A	B	BS	
1	80-1020-808-00	Blade Bracket Spacer (M)	1	1			1			G400PVY
	80-1020-815-00	Blade Bracket Spacer (K)	1	1			1			FC150V
2	80-1020-807-00	Blade Bracket	1	1			1			
3	S68040420C	Key 4 x 4 x 20 = 801020 815 200	1	1	1		1	1		G400PVY
	80-1020-892-00	Woodruff Key 4 x 16	1	1	1	1	1	1	1	FC150V
4	80-1020-809-00	Washer φ 10 x 30	1	1			1			
5	S58100000D	Spring Washer φ 10	1	1	1	1	1	1	1	
6	80-1020-946-00	Bolt 3/8 - 24 x 32 UNF	1	1	1	1	1	1	1	
7	80-1020-942-00	B.B.C. Spacer (M)			1			1		G400PVY
	80-1020-944-00	B.B.C. Spacer (K)			1	1		1	1	FC150V
8	80-1020-941-00	B.B.C. KIT (M) (KH09002AA)			1			1		G400PVY
	80-1020-943-00	B.B.C. KIT (K)			1	1		1	1	FC150V
9	80-1020-945-00	Washer φ 9 x 37			1	1		1	1	
10~14	80-1020-810-00	Fan ASSY	1	1	1	1	1	1	1	
10	80-1020-813-00	Fan	1	1	1	1	1	1	1	
11	80-1020-811-00	Fan Bracket	1	1	1	1	1	1	1	
12	S11060160D	Bolt M6 x 16	4	4	4	4	4	4	4	
13	S58060001D	Coned Disc Spring φ 6	4	4	4	4	4	4	4	
14	S48060000D	F-Nut M6	4	4	4	4	4	4	4	
15	80-1010-821-00	Blade (480)	1	1	1	1				
	80-1020-821-00	Blade (530)					1	1	1	
16	S50100000D	Washer φ 10	2	2	2	2	2	2	2	
17	S58100000D	Spring Washer φ 10	2	2	2	2	2	2	2	
18	S11100251D	Bolt 8T M10 x 25	2	2	2	2	2	2	2	
20	80-1020-851-01	Bag Flame	1	1	1	1	1	1	1	
21	80-1020-853-01	Bag	1	1	1	1	1	1	1	

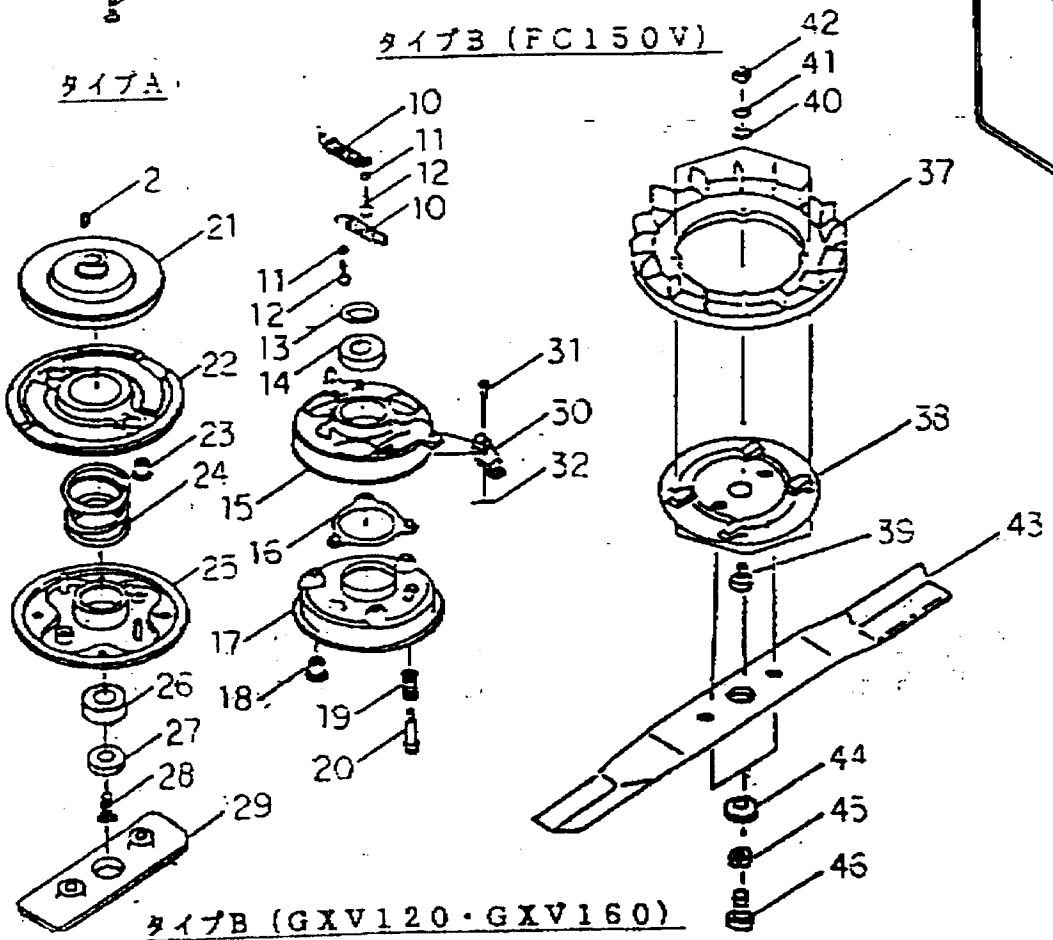
337

Fig. 6 Blade, Bag



タイプA

タイプB (FC150V)



タイプB (GXV120・GXV160)

